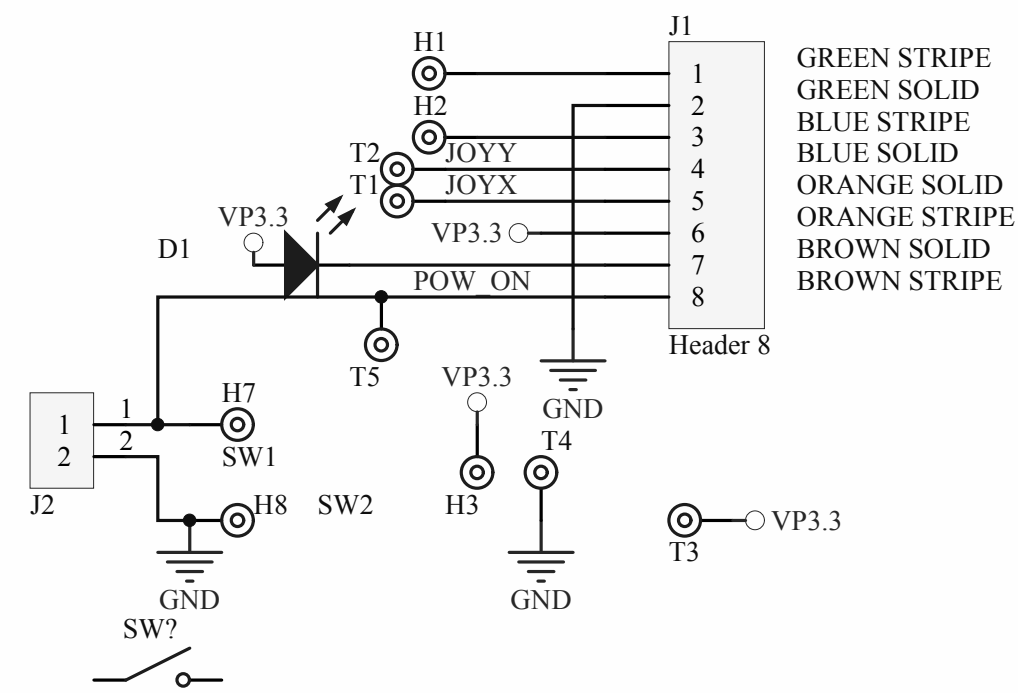
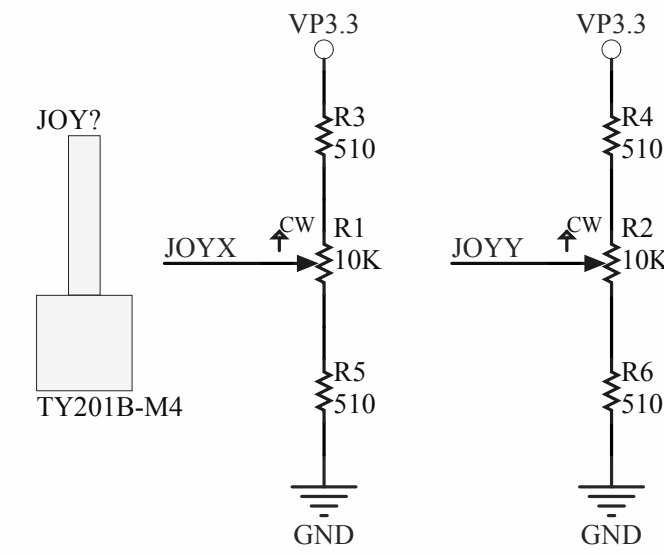



Fault Cases where wire becomes disconnected:
 POW_ON: Power is disabled
 GND: power is disabled.
 VP3: JOYX and JOYY will report 0V.
 JOYX: JOYX: will report 0V.
 JOYY: JOYY: will report 0V.



PCB
PCB1

Title Joystick Board			 Daycounter, Inc. www.daycounter.com 801.938.4264
Size: B	Number: *	Revision: G	
Date: 12/8/2015	Time: 8:11:45 AM	Sheet 1 of 1	
Drawn By: Metin Gunsay		Customer: *	